

# In-line Polarizer 1310nm~1550nm



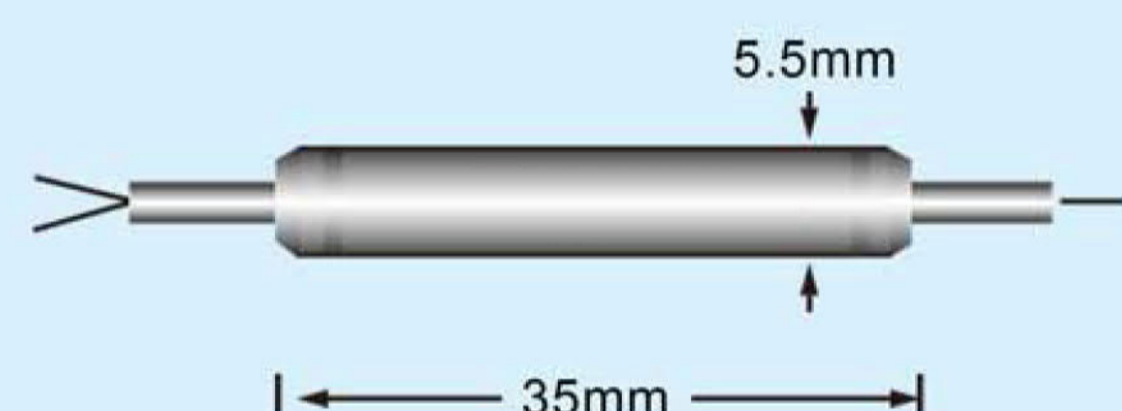
## Features

- Low insertion loss
- Various coupling ratio
- Wide pass band
- High stability and reliability
- Epoxy free on optical path

## Applications

- Optical amplifier
- Optical network
- Power monitoring
- Fiber sensor

## Package Dimension



## Performance Specifications

Parameter	Specification
Center Wavelength (nm)	1310 or 1550
Bandwidth (nm)	±40
Typical Insertion Loss (@23°C) (dB†)	0.3
Insertion Loss (@23°C) (dB)*	≤0.5
Typical Extinction Ratio (@23°C) (dB)	30
Extinction Ratio (@23°C) (dB)	≥25
Min. Return Loss (dB)	≥50
Operating Temperature (°C)	0 ~ +70
Storage Temperature (°C)	-40 ~ +85
Fiber Type	PM fiber or SMF-28e
Package Dimension (mm)	Ø5.5 x L35

Note:

1. For device with connector, IL is 0.3dB higher, RL is 5dB lower, ER is 2dB lower.
2. The default connector key is aligned to slow axis.
3. Specifications may change without notice.

## Ordering Information

ILP	Wavelength	Fiber Type	Axis Alignment	Fiber Diameter	Fiber Length	Connector
□ □ □ □ □ □	13=1310nm 15=1550nm	1=SMF-28e — PM fiber 2=PM fiber — PM fiber 3=SMF-28e — SMF-28e	1=Slow axis working, Fast axis blocked 2=Both axis Working S=Specify	0=250µm 1=900µm	0=0.5m 1=1.0m S=Specify	0=None 1=FC/APC 2=FC/UPC 3=SC/APC 4=SC/UPC 5=LC/APC 6=LC/UPC 7=ST S=Specify